

QuiPower Core 300470

Table of contents

| | |
|-----------|----------------------|
| Bl. 02 | Layout outer |
| Bl. 03 | Layout component |
| Bl. 04-05 | Circuit diagram |
| Bl. 06 | External connections |

Note

Use bootlace ferrules on 230V cables
Follow installation instructions for each
component regarding stripping wires

Seperate internal 230V cables
from other cables

Drawing number



* 3 - 8 2 0 2 3 0 E - R 1 *

| NR. | CHANGE | SIGN. | DATE |
|-----|--------|-------|------|
| | | | |



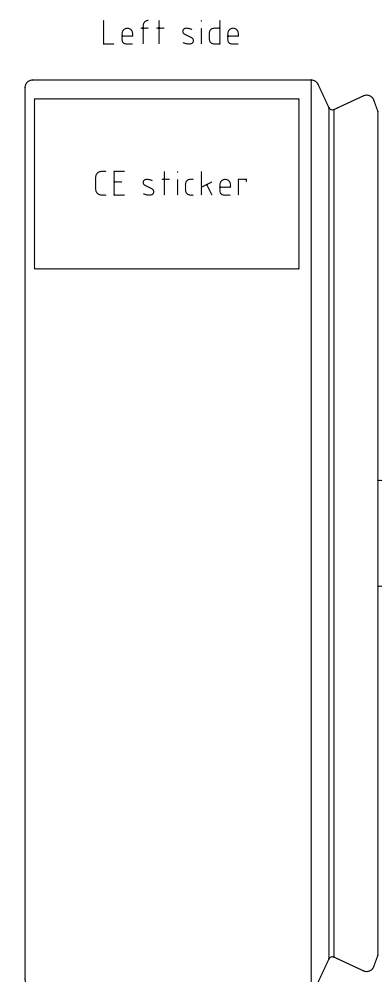
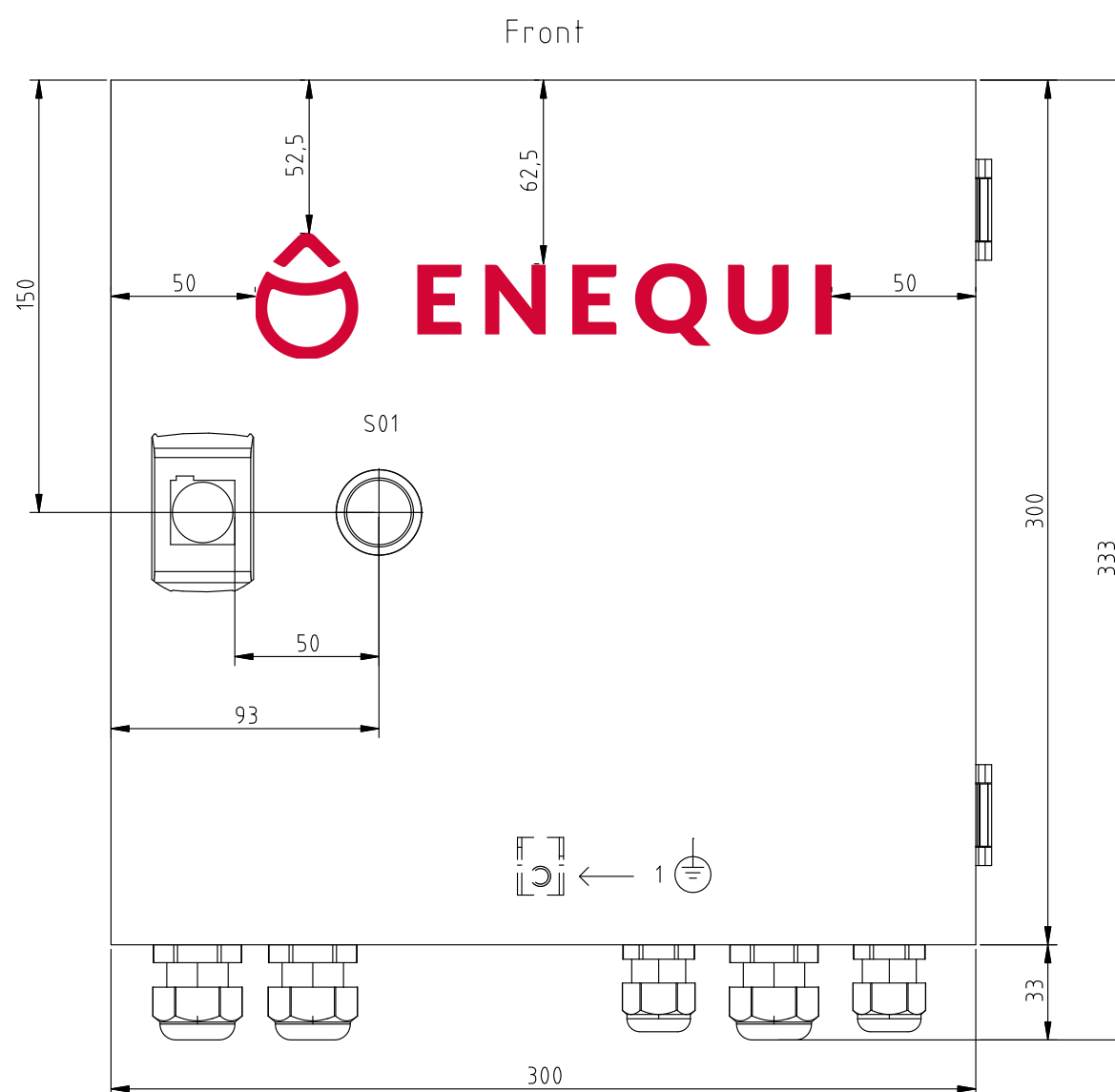
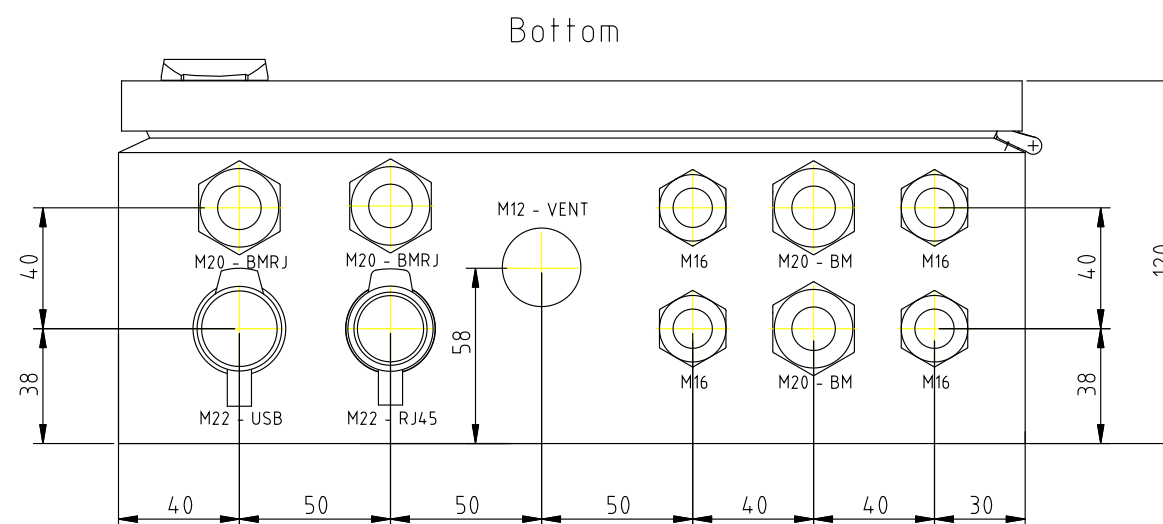
Enequi 300470

QuiPower Core

Cover page

| CONSTR. BY | FILE NAME | DRAWING NUMBER | |
|------------|-----------|------------------|-------|
| J.J. | | 3-820230E | |
| DATE | REV. | CONT. | SHEET |
| 2022-10-27 | R1 | 02 | 01 |

Label by the USB: Bluetooth
 Label by the RJ45: Access point



Scale 4:1
 Measurements in mm

Protective ground X06 2,5mm
 1. Door (inside)

| NR. | CHANGE | SIGN. | DATE |
|-----|--------|-------|------|
| | | | |

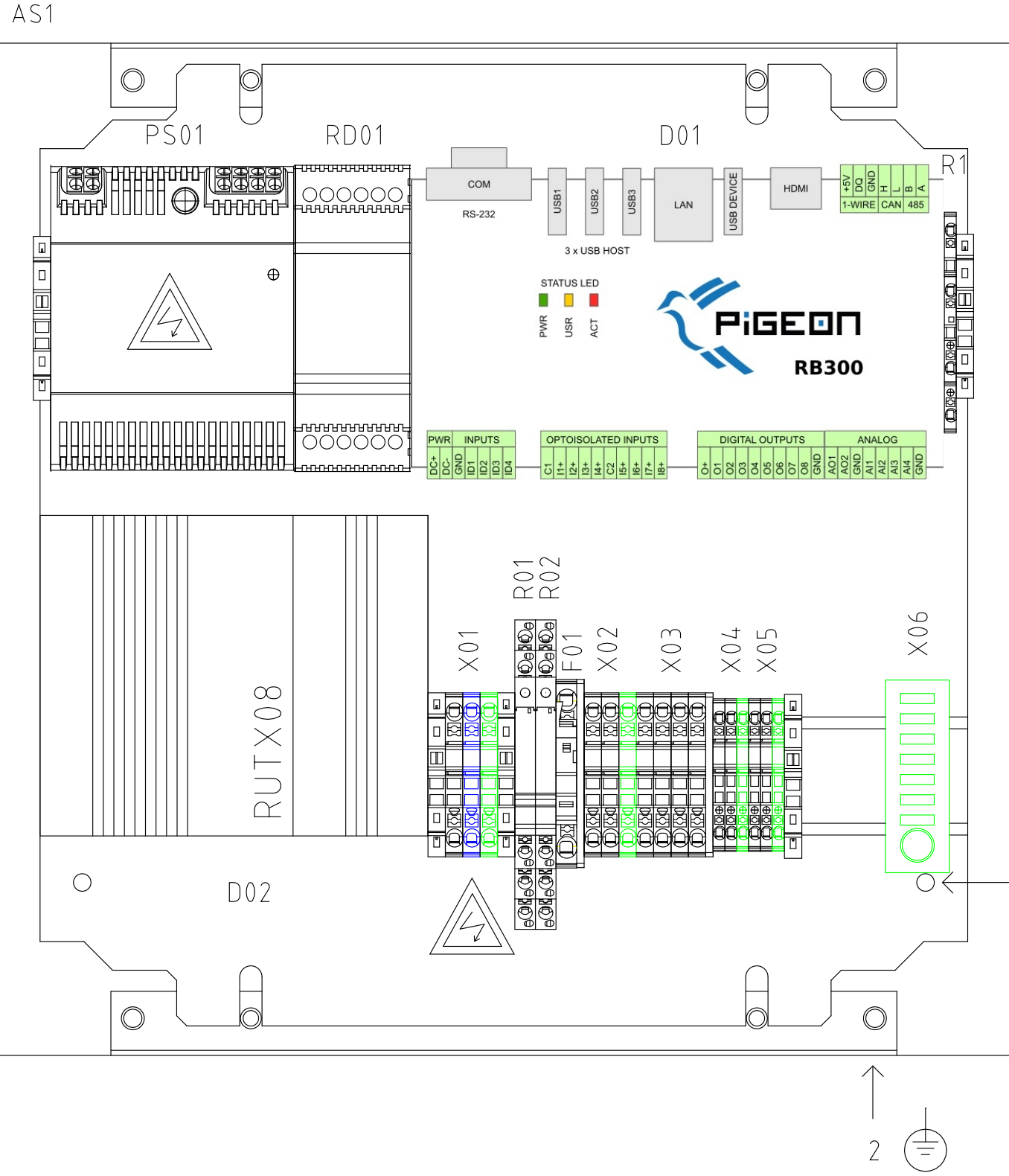


Enequi 300470

QuiPower Core

Layout outer

| CONSTR. BY | FILE NAME | DRAWING NUMBER | |
|------------|-----------|------------------|-----------|
| J.J. | | 3-820230E | |
| DATE | REV. | CONT. | SHEET |
| 2022-10-27 | R1 | 03 | 02 |



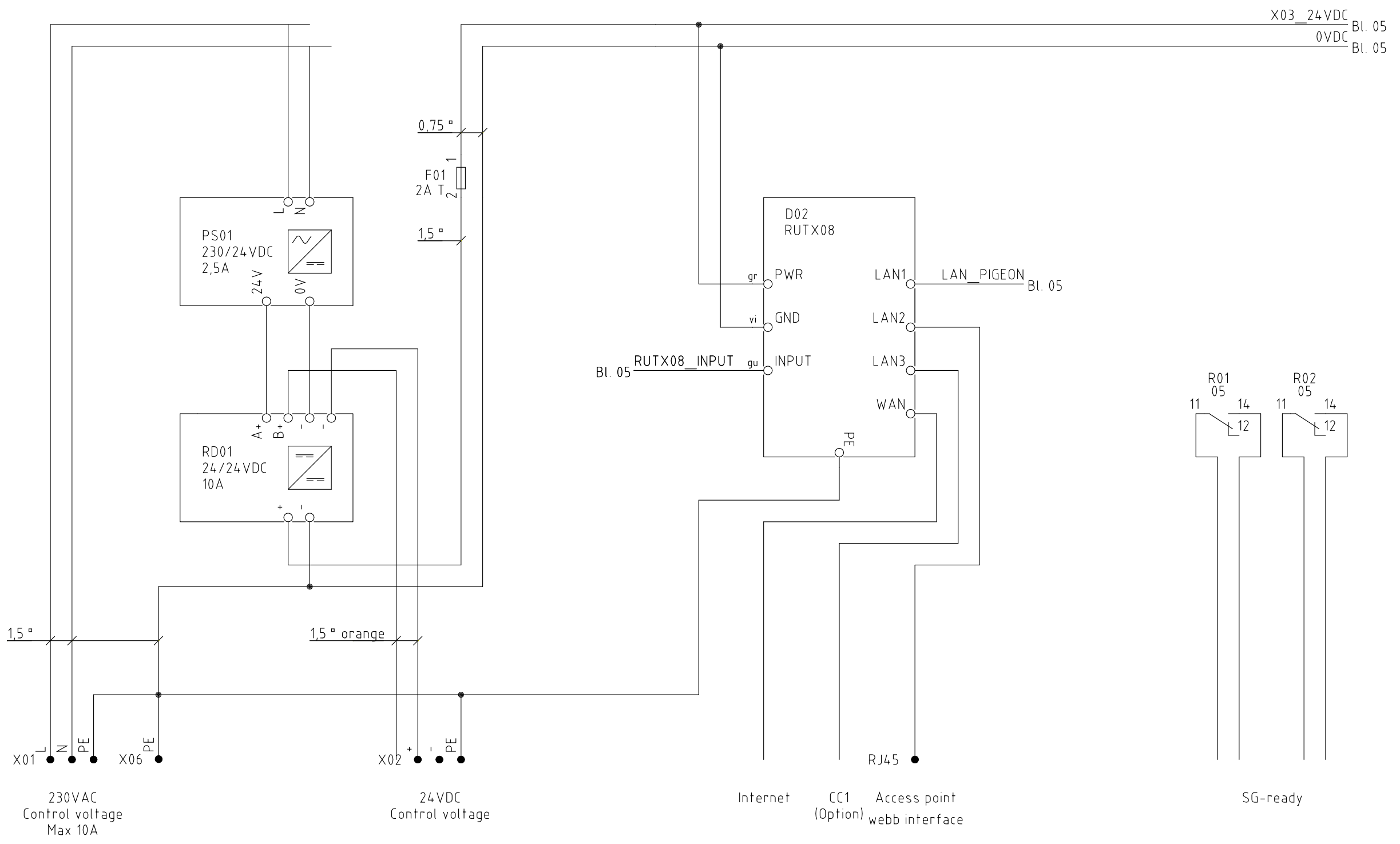
Scale 6:1
Measurements in mm

Protective grounds X06 2,5mm
2. Enclosure
3. Mounting plate

| NR. | CHANGE | SIGN. | DATE |
|-----|--------|-------|------|
| | | | |

| | | | | | | |
|--|---|------------|--------------------|--------------------|------------------------------------|--|
| | Enequi 300470 QuiPower Core Layout component | | CONSTR. BY J.J. | FILE NAME | DRAWING NUMBER 3-820230E | |
| | DATE 2022-10-27 | REV. R1 | CONT. 04 | SHEET 03 | | |

This drawing remains our property. Reproduction, displaying, disclosing or unauthorized use of it without consent is prohibited and punishable by law.



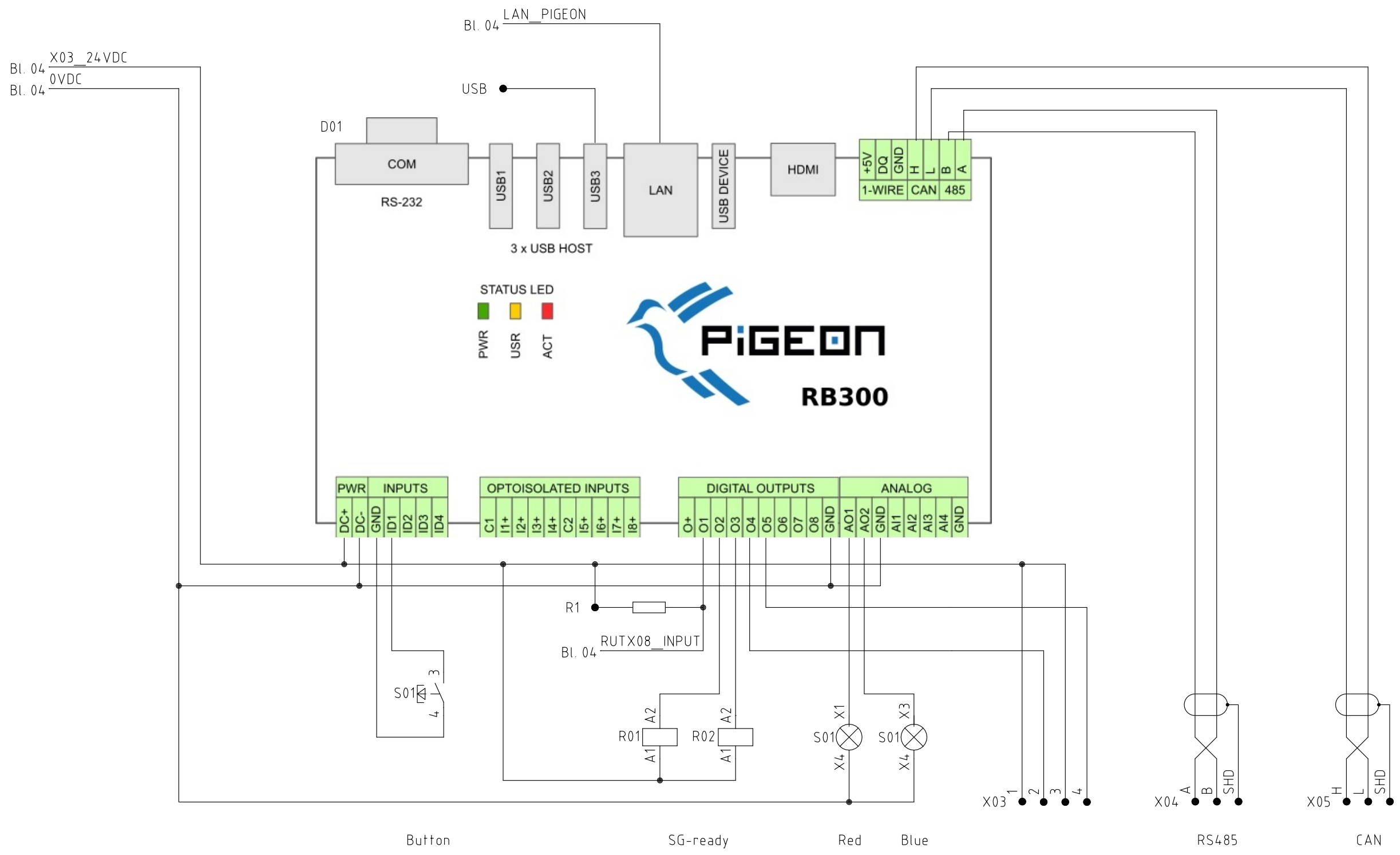
This drawing remains our property. Reproduction, displaying, disclosing or unauthorized use of it without consent is prohibited and punishable by law.

| NR. | CHANGE | SIGN. | DATE |
|-----|--------|-------|------|
| | | | |



Enequi 300470
 QuiPower Core
 Circuit diagram

| CONSTR. BY | FILE NAME | DRAWING NUMBER | |
|------------|-----------|------------------|-----------|
| J.J. | | 3-820230E | |
| DATE | REV. | CONT. | SHEET |
| 2022-10-27 | R1 | 05 | 04 |



This drawing remains our property. Reproduction, displaying, disclosing or unauthorized use of it without consent is prohibited and punishable by law.

| NR. | CHANGE | SIGN. | DATE |
|-----|--------|-------|------|
| | | | |

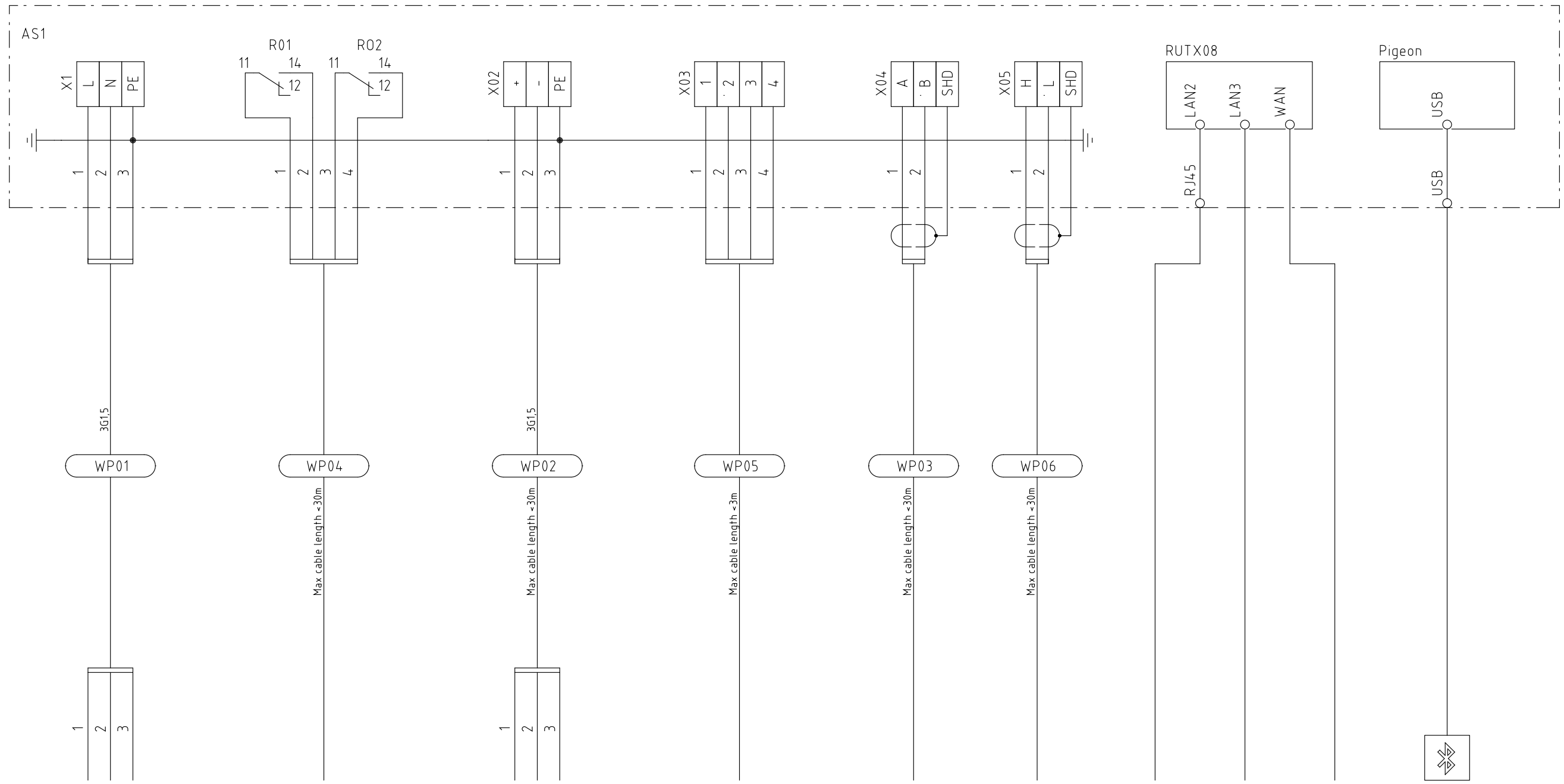


Enequi 300470

QuiPower Core

Circuit diagram

| CONSTR. BY | FILE NAME | DRAWING NUMBER | |
|------------|-----------|------------------|-----------|
| J.J. | | 3-820230E | |
| DATE | REV. | CONT. | SHEET |
| 2022-10-27 | R1 | 06 | 05 |



230V/N/PE
External 230VAC
Max 10A

SG-ready
(Option)

+/-/PE
External 24VDC

Outputs
(Option)

Inverter
RS485

CAN Bus
(Option)

Access point
webb interface

CC1
(Option)

Internet

Bluetooth dongle
(future function)

This drawing remains our property. Reproduction, displaying, disclosing or unauthorized use of it without consent is prohibited and punishable by law.

| NR. | CHANGE | SIGN. | DATE |
|-----|--------|-------|------|
| | | | |



Enequi 300470
QuiPower Core
External connections

| CONSTR. BY | FILE NAME | DRAWING NUMBER | |
|------------|-----------|------------------|-----------|
| J.J. | | 3-820230E | |
| DATE | REV. | CONT. | SHEET |
| 2022-10-27 | R1 | - | 06 |